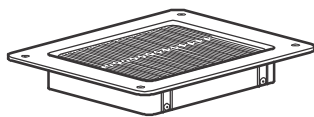


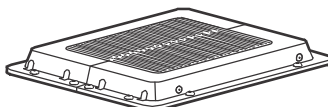
# KoldLok® Integral Raised Floor Grommet

AR7720, AR7730, AR7740

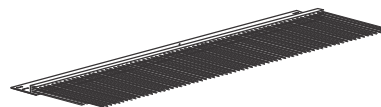
KoldLok Raised Floor Grommets



Integral Grommet  
AR7720 (10)



Surface Mount Grommet  
AR7730 (10)



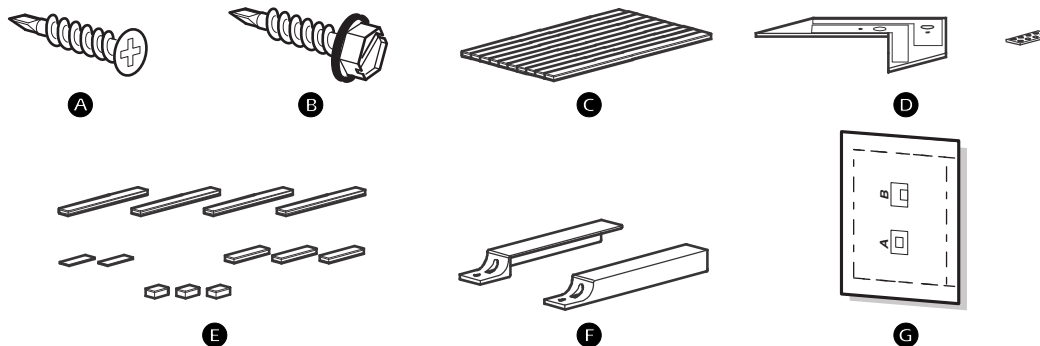
Extended Grommet  
AR7740 (10)

Includes: **A** (40), **C** (1), **G** (1)

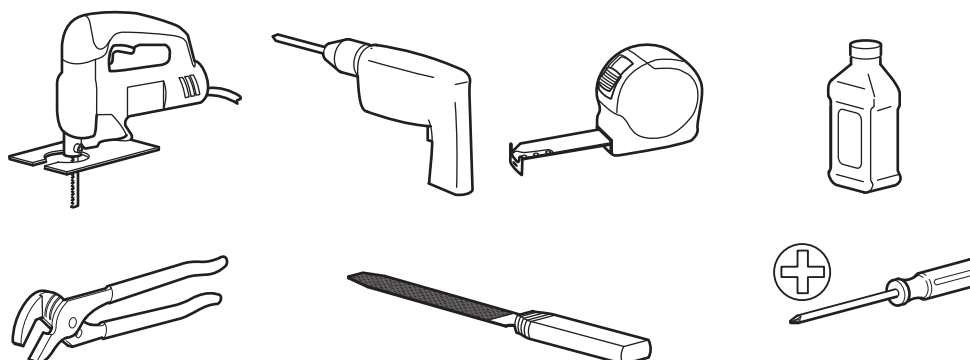
Includes: **C** (1), **D** (10)

Includes: **B** (50), **E** (10), **F** (10)

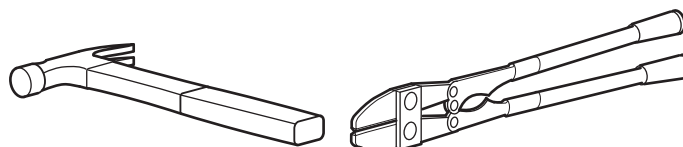
## Inventory



## Required Tools (not provided)



AR7740 - Additional tools required for modification



# General Information

## Effective Installation of Cables

To minimize air loss from under the raised floor plenum, position the cables along the centerline of the brushes in the KoldLok Grommets.

Make sure to allow adequate slack in the cables. If the cables are under too much tension, the grommet filaments may be pulled apart, resulting in a V-shaped gap that will cause an increase in the volume of air escaping from under the raised floor.

## Maintaining Proper Cooling of Equipment

Failure to follow equipment manufacturer's guidelines for maintaining proper cooling may result in the overheating of equipment.

Before sealing cable cutouts, ensure that proper airflow to the intake side of computer equipment or cabinets is feasible through the use of devices such as perforated floor tiles or grates.

Achieving proper airflow to the intake side of computer equipment and cabinets is the responsibility of the customer.

## Cutting Raised Floor Tiles

Each raised floor tile manufacturer provides instructions to properly and safely modify their products.

Observe the tile manufacturers recommendations for applicable tools, cutting procedures, the design load capacity of the cut tile, and any additional underfloor support requirements for cut raised floor tiles.

Be familiar with the tile strength de-rating caused when you cut the tile.

When installing the KoldLok Extended Grommet on a newly cut hole, trim the cutout before installation.

## Safety Requirements

Installers must be familiar with standard safety and risk management practices when working in raised-floor environments and when modifying floor tiles.

Use of standard personal safety equipment including safety glasses, face shields, respirators, hand protection, and safety footwear is a requirement.


Assurance by facilities management of basic safety training for installers on safe use of the appropriate installation tools is a requirement.

## Preparation

Floor tiles must be cleaned with a suitable wax remover (isopropyl alcohol or equivalent). All tiles must be free of dust and contaminants before you mount the KoldLok Grommets.

# Dimensions and Tile Cutting Requirements

Model	Dimensions	
	mm	in.
<b>AR7720</b>		
Overall (W x D x H)	(279.00 x 210.00 x 41.00)	(11.00 x 8.25 x 1.63)
Height above the raised floor	3.00	0.13
Usable cable area	203.00 x 102.00	8.00 x 4.00
<b>Cutout required to install Grommet:</b>		
Tile Interior	235.00 x 172.00	9.25 x 6.75
Long side of Grommet on the tile edge	235.00 x 191.00	9.25 x 7.50
Short side of Grommet on the tile edge	275.00 x 172.00	10.25 x 6.75
<b>AR7730</b>		
Overall (W x D x H)	279.00 x 209.00 x 29.00	11.00 x 8.25 x 11.13
Height above the raised floor (with mounting system installed)	29.00	1.25
Maximum cutout size sealed	254.00 x 184.00	10.00 x 7.25
Usable cable area	210.00 x 102.00	8.25 x 4.00
<b>AR7740</b>		
Maximum cutout size sealed	610.00 x 102.00	24.00 x 4.00
Usable cable area	559.00 x 64.00	22.00 x 2.50
Height above the floor (with mounting system installed)	25.00	1.00

**NOTE:** See provided cutout template  for illustrations that show where to place the grommet on the raised floor tile.

# Installation

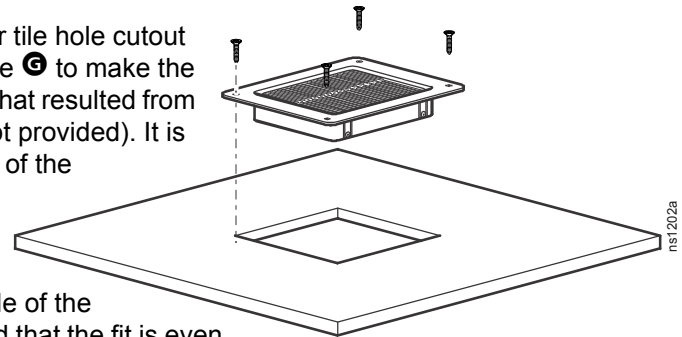
## KoldLok Integral Grommet (AR7720)

### NOTES:

- Do NOT over tighten the screws.
- See “Cutting Raised Floor Tiles” on page 2 for floor tile cutting requirements.

### Tile Interior

1. Determine the requirements of the floor tile hole cutout dimensions and use the cutout template **G** to make the necessary cutouts. Remove any burrs that resulted from cutting the floor tile with a metal file (not provided). It is not necessary to cover the rough edge of the cutout when installing the KoldLok Integral Grommet.
2. Test-fit the grommet to the floor tile by making the flange flush with the top side of the floor tile. Ensure there is no binding and that the fit is even on all sides of the grommet frame.
3. With the grommet properly placed in the floor tile, fasten it securely to the floor tile using the #8 self-tapping screws **A**.



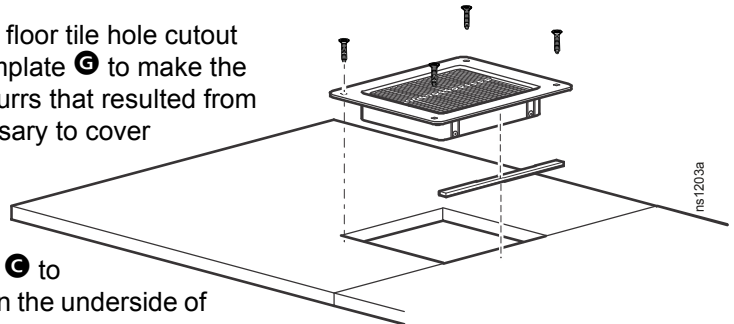
### Tile Edge

#### Long Edge of Grommet

In the absence of a supporting floor tile flange, edge-mount installations require a foam insert on the open side of the cut to serve as an air block.

If your floor tile has been cut on three sides only, providing one open edge, the grommet must be installed with the supplied foam strip inserted into the molded depression on its underside.

1. Determine the requirements of the floor tile hole cutout dimensions and use the cutout template **G** to make the necessary cutouts. Remove any burrs that resulted from cutting the floor tile. It is not necessary to cover the rough edge of the cutout when installing the KoldLok Integral Grommet.
2. Stretch the edge-mount foam strip **C** to fill the 228 mm (9 in.) depression on the underside of the grommet.
3. Test-fit the grommet to the floor tile, with flange on the topside of the floor tile. Ensure there is no binding and that the fit is even on the grommet.
4. With the grommet properly placed in the floor tile, fasten it securely to the floor tile using the #8 self-tapping screws **A**.



#### Short Edge of Grommet

The KoldLok Integral Grommets may also be installed with their short sides mounted along the floor tile edge.

1. Cut a 257 x 171 mm (10.13 x 6.75 in.) hole in the floor tile using the enclosed cutout template **G**.
2. Follow the same cleaning and fastening steps as above.

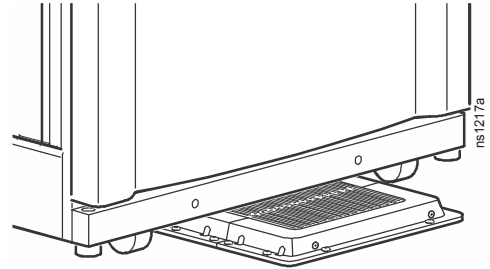
# KoldLok Surface Mount Grommet (AR7730)

The KoldLok Surface Mount Grommet is designed to separate into two identical halves. One half will be stationary on the floor tile; the other will be removable to facilitate equipment relocation, re-cabling, and removal of the tile.

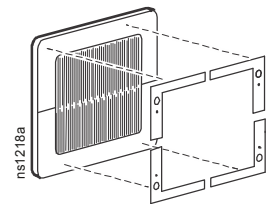
1. Determine the requirements of the floor tile hole cutout dimensions and make the necessary cuts.

**NOTE:** See “Cutting Raised Floor Tiles” on page 2 for floor tile cutting requirements

2. Determine which half of the grommet will be stationary and which half will be removable. The removable half should always be accessible.

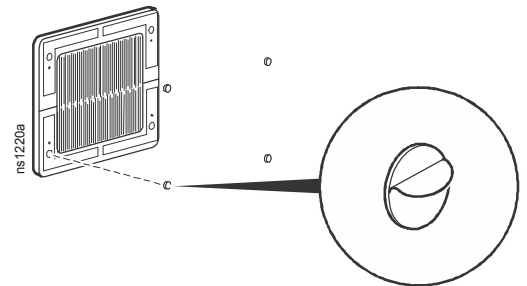


3. Apply the double-sided adhesive strips provided in the Floor Mounting Kit **D** (identified by the red stripe) to the stationary half of the grommet and the single-sided adhesive strips (identified by the green stripe) to the other half, by removing the backing material and pressing the exposed adhesive firmly to the bottom of the grommet.



Ensure the edge of the foam is aligned with the edge of the grommet. Leave the second layer of backing material on the foam until the grommet is ready to be installed on the raised floor.

4. Insert four ESD buttons in the four die-cut holes of the Floor Mounting Kit **D**.

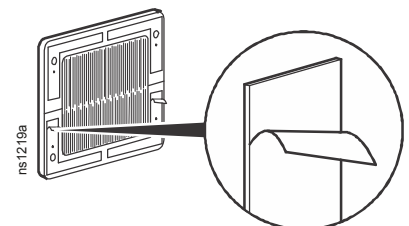


5. Separate the halves of the grommet by pressing the buttons on the sides of the grommet and pulling the halves apart.

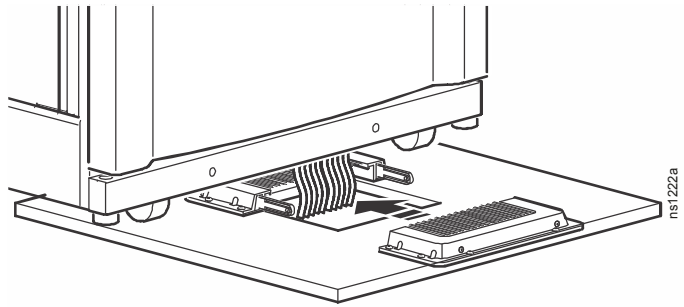
**NOTE:** To separate the grommet see “Disassembling the KoldLok Surface Mount Grommet” on page 6.

6. Remove the remaining backing material from the stationary half of the grommet.


**NOTE:** If access underneath a rack or cabinet is limited, it is helpful to perform a practice installation before exposing the protective adhesive strip.

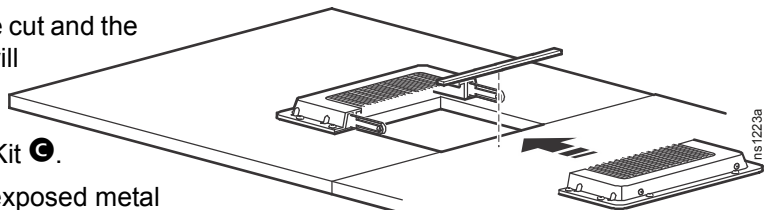


7. Position the stationary half of the grommet behind the cable bundle, aligning the cabling with the edge of the grommet filaments. Position the removable half of the grommet in front of the cable bundle and snap the grommet halves back together.
8. Press the grommet onto the floor tile and ensure good adhesion to the tile.
9. If there is slack available in the cables, arrange the cables so that they are against the exposed edge of the filaments.



### Installation on the Tile Edge

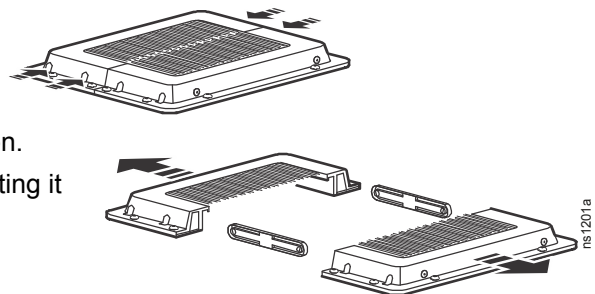
1. If the cable cutout is an edge cut and the installation of the grommet will be within the perimeter of the tile, use the foam strip included in Floor Mounting Kit .
2. Apply the foam strip to the exposed metal support on the cut side of the tile to provide an air block between the metal support and the bottom of the grommet.



**NOTE:** If the cable cutout is an edge cut and the grommet will overlap onto the adjacent tile, a foam strip is not necessary.

### Disassembling the KoldLok Surface Mount Grommet

1. To remove the removable section of the grommet, press and hold the locking buttons on both sides of the joiner bars while gently pulling the removable section of the grommet away from the stationary section.
2. Foam adhesive can be removed by gently lifting it with a putty knife or other scraping tool.

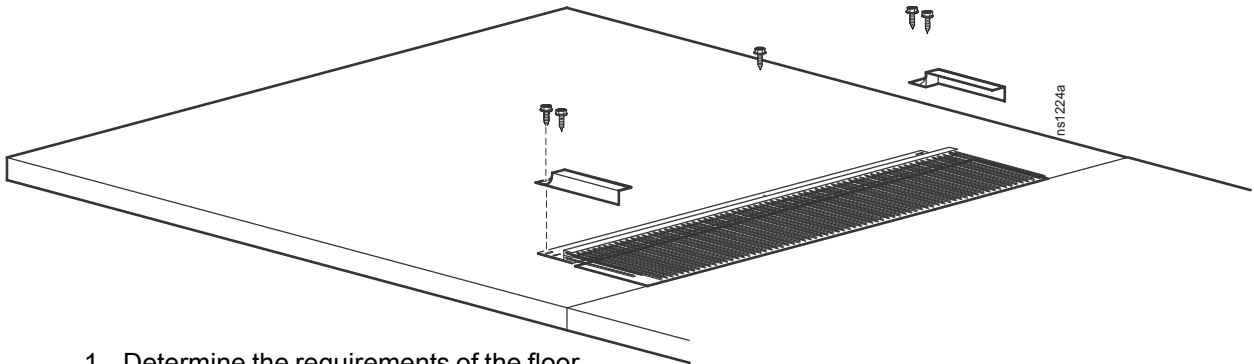


# KoldLok Extended Grommet (AR7740)

**NOTE:** See “Cutting Raised Floor Tiles” on page 2 for floor tile cutting requirements.

## Self-tapping Screws Installation Method

**NOTE:** If the KoldLok Extended Grommets are being installed in an active data center, remove the floor tile and install the grommet outside the data center environment. Following installation, return the floor tile and grommet to the raised floor.



1. Determine the requirements of the floor tile hole cutout dimensions and make the necessary cutouts.
2. Position the grommet over the cable cutout, with the flange resting on the floor tile and grommet filaments covering the cutout.
3. Ensure the flange does not rest on top of any cutout trim.

**NOTE:** If the grommet cannot be placed without resting on the cutout trim, install the grommet using Floor Mount Kit **E**. See “Installation with the Floor-Mount Kit” on page 8.

4. Once the grommet is positioned, drive a #10 self-tapping screw **B** through the center pre-drilled screw hole on the grommet flange to attach the grommet to the raised floor.
5. Align the screw holes of one end cap **F** with the screw holes on the end of the grommet flange. Use #10 self-tapping screws **B** to attach the end cap and flange to the floor tile. The screw-hole design allows you to position the end caps horizontally or vertically when you attach them to the flange.

**NOTE:** With the inside wall of the end caps **F** mounted against the flange, the installed grommet can seal an opening the length of a 600 mm floor tile. With the end caps extended away from the flange, the installed grommet can seal an opening the length of a 24 in. floor tile.

6. Repeat step 4 with the other end cap **F**.
7. Attach the grommet with the remaining #10 self-tapping screws **B**.
8. Clean any residue that may have been created during installation.

## Floor-Mount Kit Installation Method

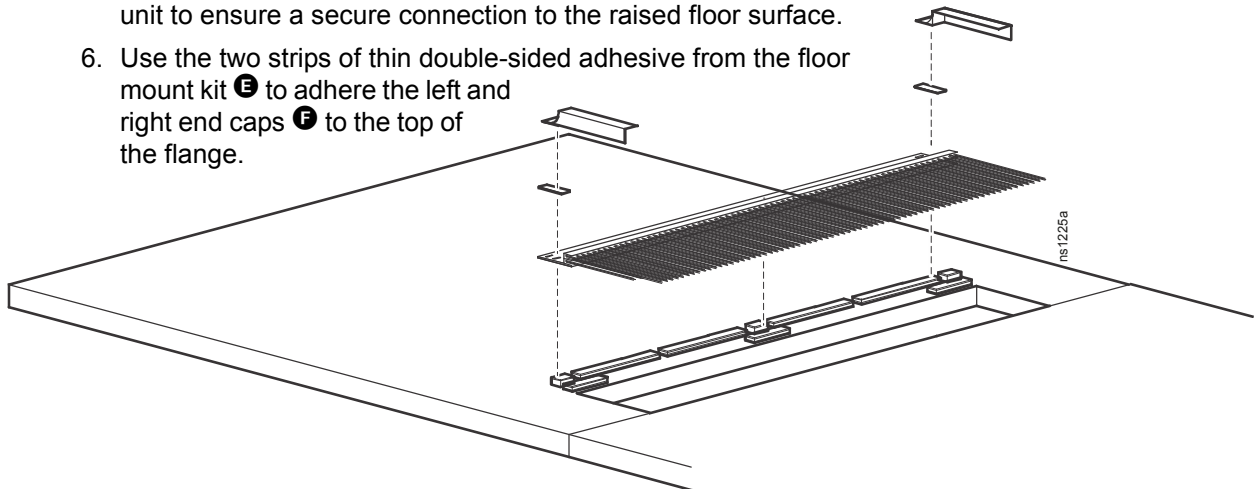
### ⚠ CAUTION

#### STORED ENERGY

ESD pads must adhere to the bottom surface of the flange in order to ensure proper electrostatic discharge.

**Failure to follow these instructions can result in injury or equipment damage.**

1. Remove one layer of adhesive backing from the ESD pads of the floor mount kit **E** and install it on the bottom of the flange at the center and outside corners.
2. Remove one layer of adhesive backing from each of the four 5 in. strips of the floor mount kit **E**. Mount strips between each ESD pad, along the rear edge of the flange that is farthest away from the brush holders.
3. Remove one layer of adhesive backing from each of the three 2 in. strips of the floor mount kit **E**. Mount strips above each ESD pad.
4. Remove the second layer of adhesive backing from all seven adhesive strips. Position the grommet on the floor tile and over the cable cutout.
5. Adhere the unit to the floor. Press down firmly on all portions of the unit to ensure a secure connection to the raised floor surface.
6. Use the two strips of thin double-sided adhesive from the floor mount kit **E** to adhere the left and right end caps **F** to the top of the flange.



7. If the cutout spans the full length of the raised floor tile mount (the end caps to the edge of the flange) ensure that the outside edges of the end caps are flush with the edges of the floor tile.



## Modification of KoldLok Extended Grommets

The KoldLok Extended Grommets can be modified to seal large and unique openings. The metal filament channel and grommet flange may be cut to any length.

<b>CAUTION</b>
<b>INOPERABLE EQUIPMENT</b> <ul style="list-style-type: none"><li>• Never cut metal within the raised floor environment.</li><li>• Stray metal pieces are created by cutting.</li></ul> <b>Failure to follow these instructions can result in equipment damage.</b>

1. Using a hammer (or mallet) and stake, drive one of the metal filament channels out of the grommet flange to the desired length.
2. Mark the cut line.
3. Use bolt cutters to cut and snap the metal filament channel.
4. Crimp the ends of the metal filament channel with pliers to prevent bristle escape. File any rough or sharp corners and edges.
5. Repeat steps 1 through 4 above for the other metal filament channel.
6. Mark the empty grommet flange for cutting. Cut the flange with a saw.
7. File the cut edge of the flange.
8. Use a hammer (or mallet) and stake to reposition the metal filament channel in the grommet so that the end of the metal filament channel does not protrude from the end of the flange channel.

# One-Year Factory Warranty

The limited warranty provided by Schneider Electric in this Statement of Limited Factory Warranty applies only to products you purchase for your commercial or industrial use in the ordinary course of your business.

## Terms of warranty

Schneider Electric warrants its products to be free from defects in materials and workmanship for a period of one year from the date of purchase. The obligation of Schneider Electric under this warranty is limited to repairing or replacing, at its sole discretion, any such defective products. This warranty does not apply to equipment that has been damaged by accident, negligence or misapplication or has been altered or modified in any way. Repair or replacement of a defective product or part thereof does not extend the original warranty period. Any parts furnished under this warranty may be new or factory-remanufactured.

## Non-transferable warranty

This warranty extends only to the original purchaser who must have properly registered the product. The product may be registered at Web site, [www.schneider-electric.com](http://www.schneider-electric.com).

## Exclusions

Schneider Electric shall not be liable under the warranty if its testing and examination disclose that the alleged defect in the product does not exist or was caused by end user's or any third person's misuse, negligence, improper installation or testing. Further, Schneider Electric shall not be liable under the warranty for unauthorized attempts to repair or modify wrong or inadequate electrical voltage or connection, inappropriate on-site operation conditions, corrosive atmosphere, repair, installation, start-up by non-Schneider Electric designated personnel, a change in location or operating use, exposure to the elements, Acts of God, fire, theft, or installation contrary to Schneider Electric recommendations or specifications or in any event if the Schneider Electric serial number has been altered, defaced, or removed, or any other cause beyond the range of the intended use.

**THERE ARE NO WARRANTIES, EXPRESS OR IMPLIED, BY OPERATION OF LAW OR OTHERWISE, OF PRODUCTS SOLD, SERVICED OR FURNISHED UNDER THIS AGREEMENT OR IN CONNECTION HERewith. SCHNEIDER ELECTRIC DISCLAIMS ALL IMPLIED WARRANTIES OF MERCHANTABILITY, SATISFACTION AND FITNESS FOR A PARTICULAR PURPOSE. SCHNEIDER ELECTRIC EXPRESS WARRANTIES WILL NOT BE ENLARGED, DIMINISHED, OR AFFECTED BY AND NO OBLIGATION OR LIABILITY WILL ARISE OUT OF, SCHNEIDER ELECTRIC RENDERING OF TECHNICAL OR OTHER ADVICE OR SERVICE IN CONNECTION WITH THE PRODUCTS. THE FOREGOING WARRANTIES AND REMEDIES ARE EXCLUSIVE AND IN LIEU OF ALL OTHER WARRANTIES AND REMEDIES. THE WARRANTIES SET FORTH ABOVE CONSTITUTE SCHNEIDER ELECTRIC'S SOLE LIABILITY AND PURCHASER'S EXCLUSIVE REMEDY FOR ANY BREACH OF SUCH WARRANTIES. SCHNEIDER ELECTRIC WARRANTIES EXTEND ONLY TO PURCHASER AND ARE NOT EXTENDED TO ANY THIRD PARTIES.**

**IN NO EVENT SHALL SCHNEIDER ELECTRIC, ITS OFFICERS, DIRECTORS, AFFILIATES OR EMPLOYEES BE LIABLE FOR ANY FORM OF INDIRECT, SPECIAL, CONSEQUENTIAL OR PUNITIVE DAMAGES, ARISING OUT OF THE USE, SERVICE OR INSTALLATION, OF THE PRODUCTS, WHETHER SUCH DAMAGES ARISE IN CONTRACT OR TORT, IRRESPECTIVE OF FAULT, NEGLIGENCE OR STRICT LIABILITY OR WHETHER SCHNEIDER ELECTRIC HAS BEEN ADVISED IN ADVANCE OF THE POSSIBILITY OF SUCH DAMAGES. SPECIFICALLY, SCHNEIDER ELECTRIC IS NOT LIABLE FOR ANY COSTS, SUCH AS LOST PROFITS OR REVENUE, LOSS OF EQUIPMENT, LOSS OF USE OF EQUIPMENT, LOSS OF SOFTWARE, LOSS OF DATA, COSTS OF SUBSTITUENTS, CLAIMS BY THIRD PARTIES, OR OTHERWISE.**

**NO SALESMAN, EMPLOYEE OR AGENT OF SCHNEIDER ELECTRIC IS AUTHORIZED TO ADD TO OR VARY THE TERMS OF THIS WARRANTY. WARRANTY TERMS MAY BE MODIFIED, IF AT ALL, ONLY IN WRITING SIGNED BY AN SCHNEIDER ELECTRIC OFFICER AND LEGAL DEPARTMENT.**

## Warranty claims

Customers with warranty claims issues may access the Schneider Electric customer support network through the Support page of Web site, **[www.schneider-electric.com](http://www.schneider-electric.com)**. Select your country from the country selection pull-down menu at the top of the Web page. Select the Support tab to obtain contact information for customer support in your region.

# Worldwide Customer Support

Customer support for this or any other product is available at [www.schneider-electric.com](http://www.schneider-electric.com).