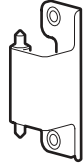


## Perforated Curved Front Door for NetShelter™ SX Cabinets AR70XX Models

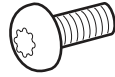
### Inventory



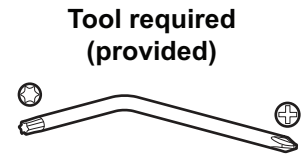
Perforated Front Door (1)



Assembly Hinge (2)



M6 X 12 Pan Screw (1)



Tool required (provided)



M6 X 12 Flat Screw (4)



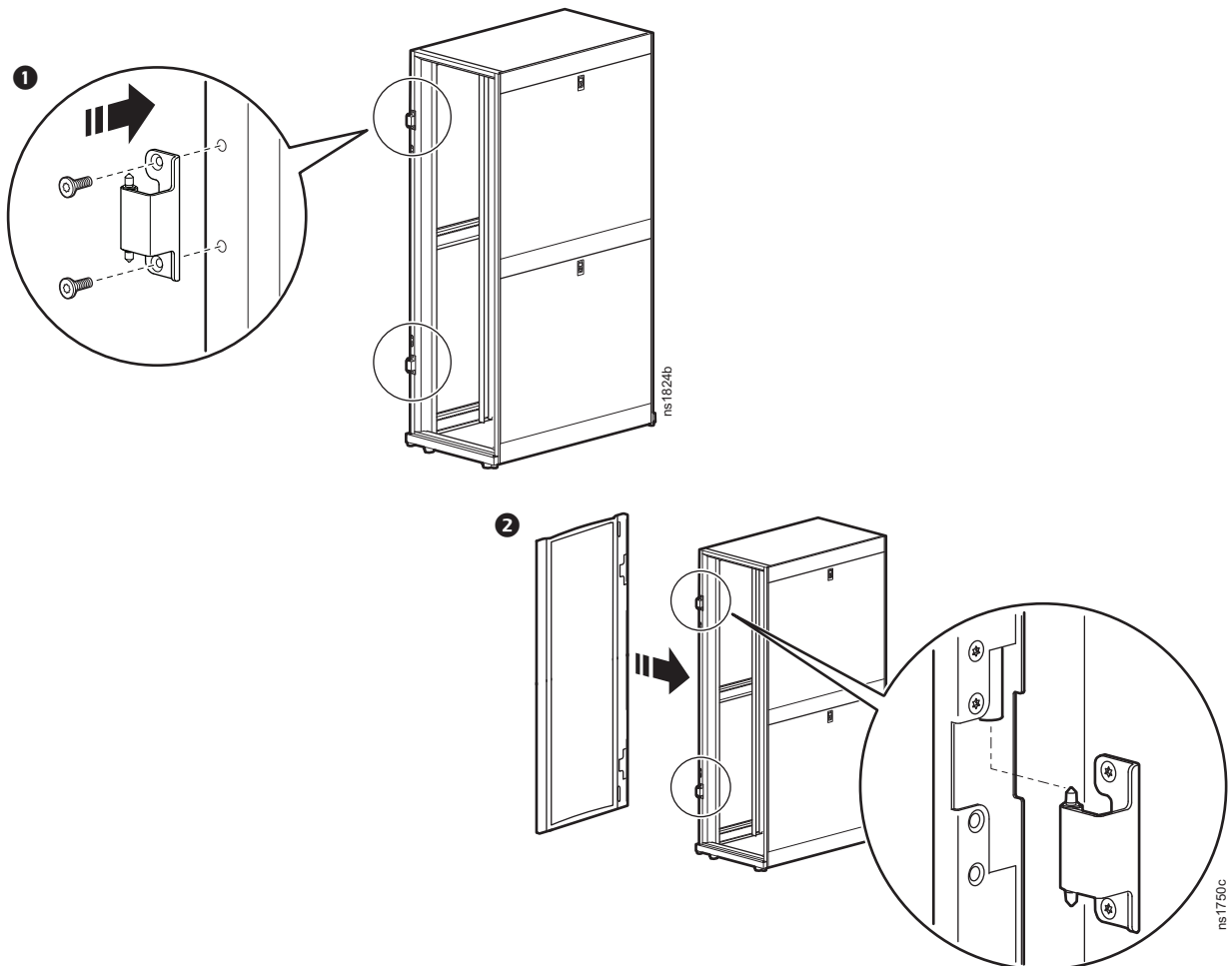
Washer (1)

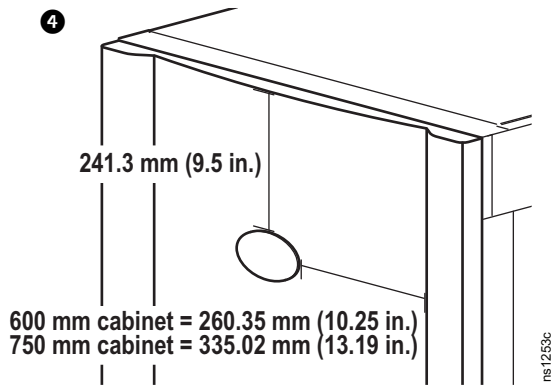
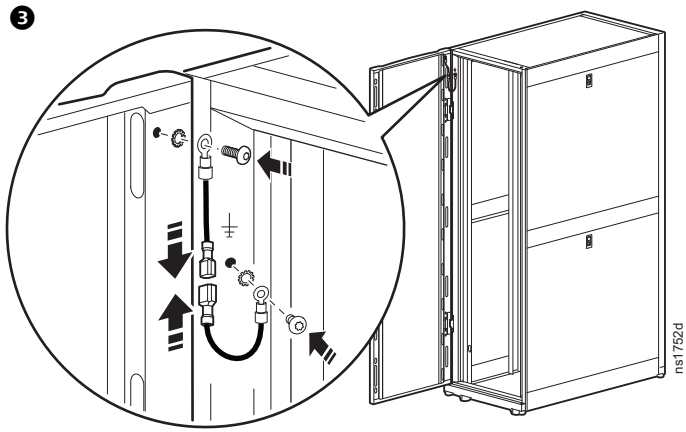
### Installation

**NOTE:** The door can be installed on either the left or right side.

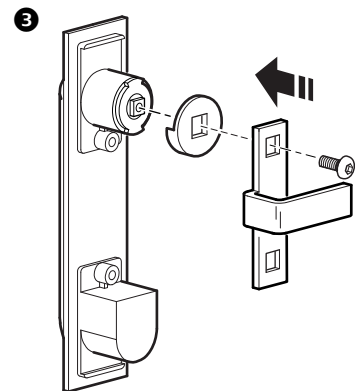
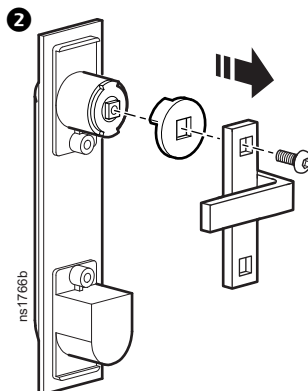
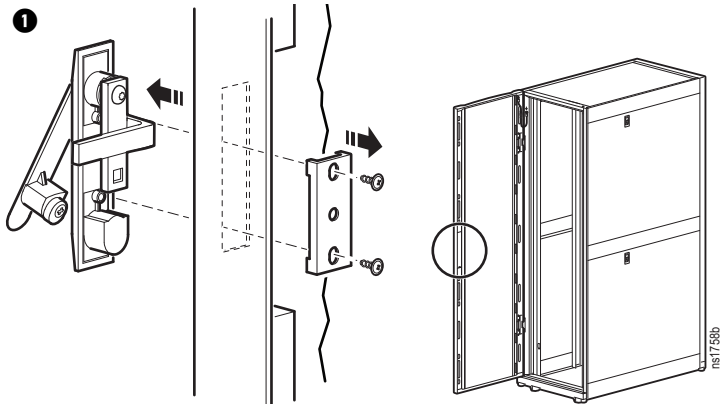
**NOTE:** Smaller cabinets may look different than the illustration.

#### Install the door

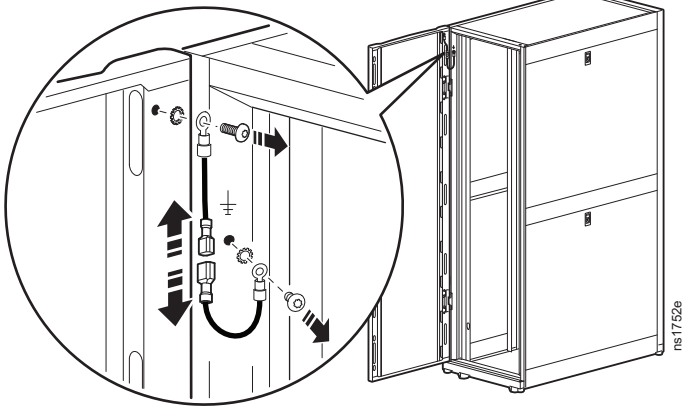




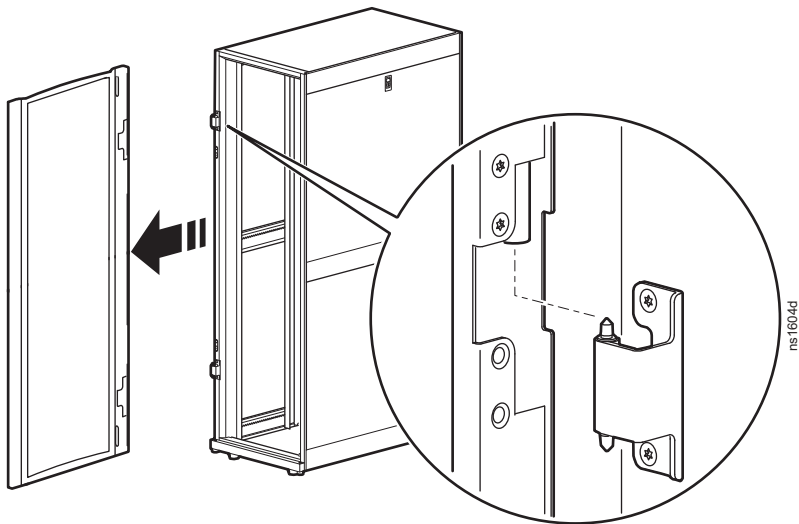
### Reverse the door



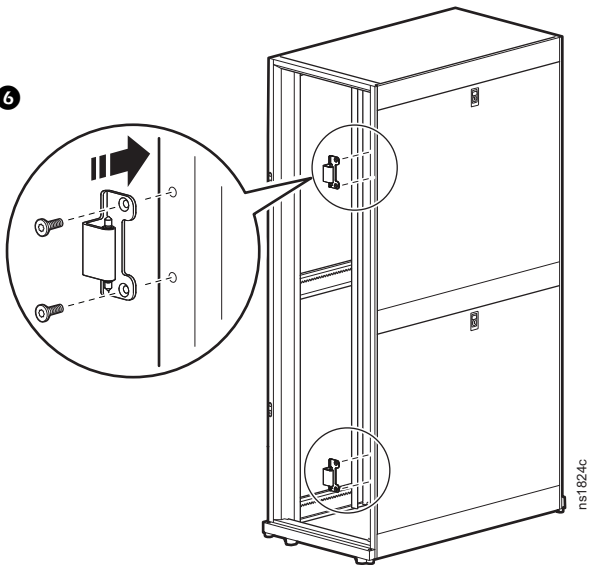
4



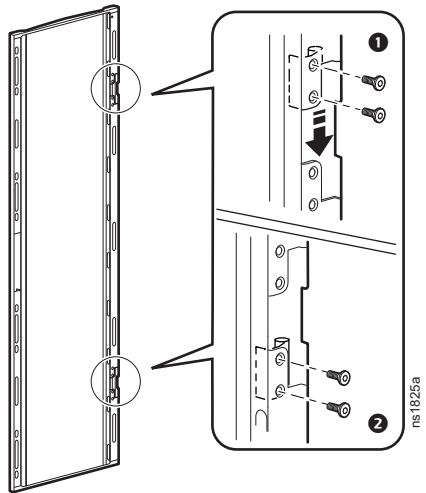
5

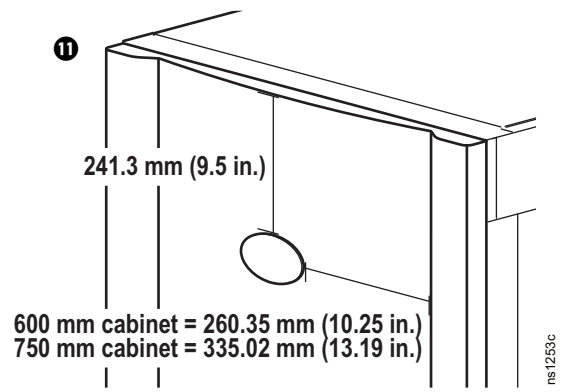
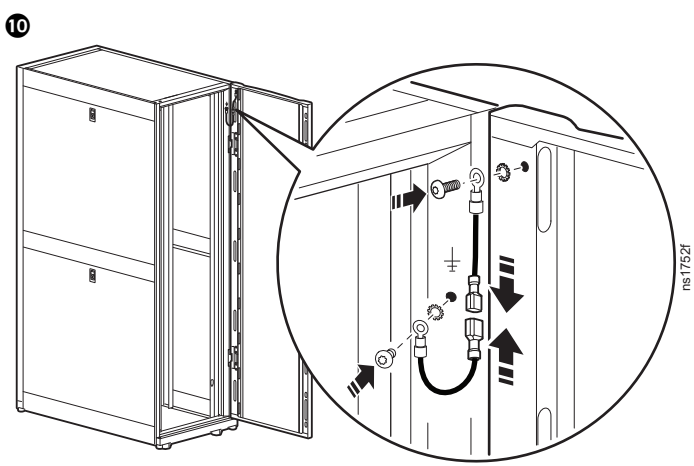
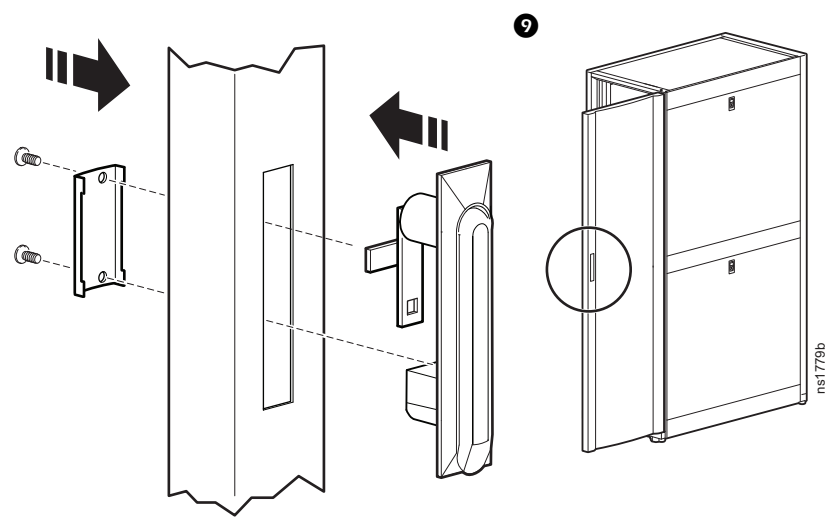
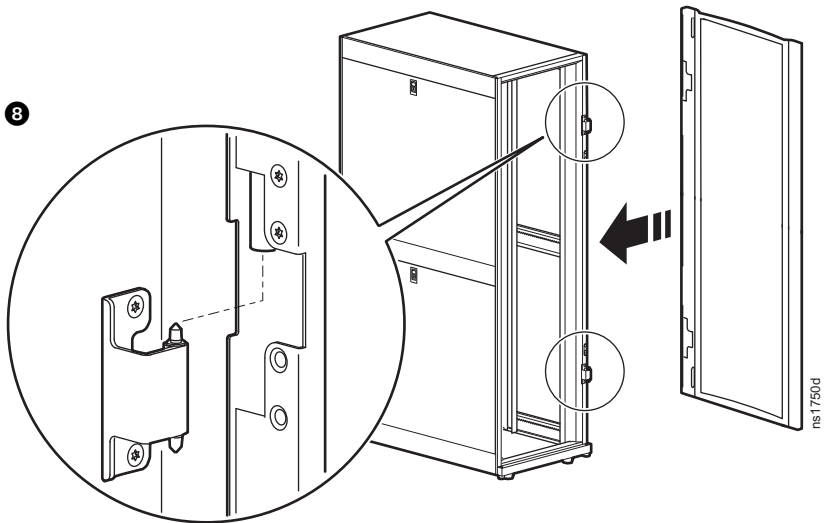


6



7





Customer support and warranty information is available at [www.apc.com](http://www.apc.com).  
© 2019 APC by Schneider Electric. All Rights Reserved.