

## Galaxy VS

### Receiving

#### External Inspection

When the shipment arrives, inspect the shipping material for any signs of damage or mishandling. Check tilt and impact indicators. Do not attempt to install the system if a damage is apparent. If any damage is noted, contact Schneider Electric and file a damage claim with the shipping agency within 24 hours.

Compare the components of the shipment with the bill of lading. Report any missing items to the carrier and to Schneider Electric immediately.

Verify that labelled units match the order confirmation.

## Unpack the UPS and the Modular Battery Cabinet GVSMODBC9

### **NOTICE**

#### **RISK OF EQUIPMENT DAMAGE**

Do not unpack the cabinet before the time of installation.

**Failure to follow these instructions can result in equipment damage.**

### **NOTICE**

#### **RISK OF EQUIPMENT DAMAGE**

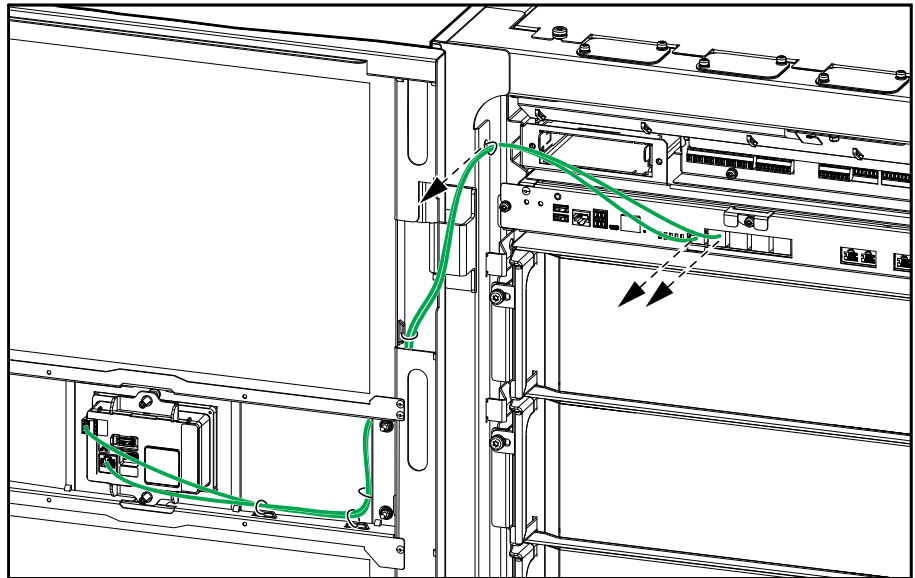
- Ensure that the floor is level and can support the weight of the jack when it carries the cabinet.
- Be careful not to damage the cabinets when using the jack.

**Failure to follow these instructions can result in equipment damage.**

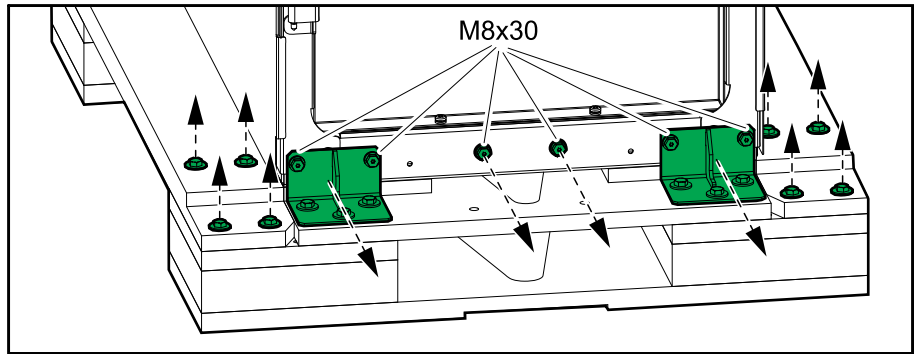
**NOTE:** Not all steps are relevant for all cabinet types.

1. Remove all the packaging, retrieve the installation kits, and save the protective packaging bag for later use.

2. **Only for the UPS:** Disconnect the two signal cables on the UPS.

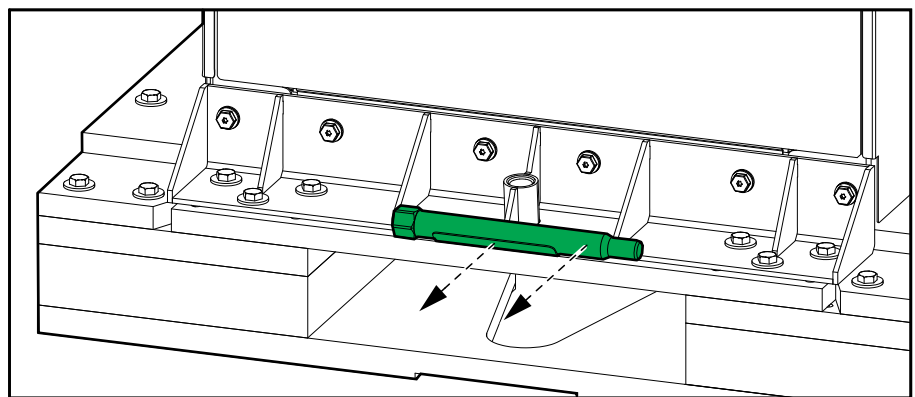


3. Remove the front door.
4. Remove the M8x30 bolts and transportation brackets from the front of the cabinet. Save for later use.



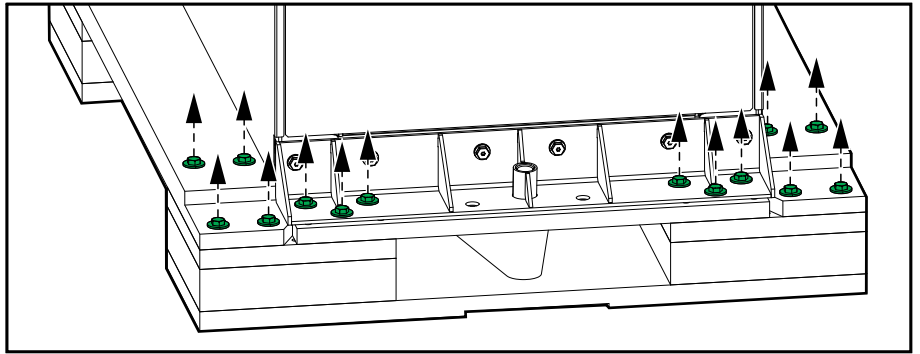
5. Remove the floor protection plate and the jack.

**Rear View**



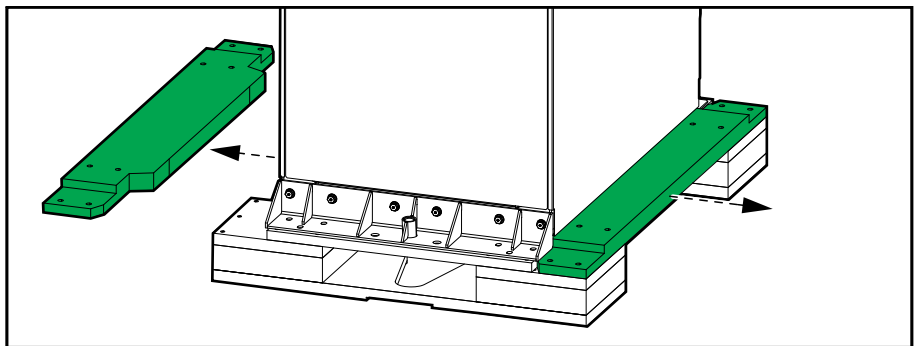
6. Remove the bolts.

#### Rear View



7. Remove the side pallet parts.

#### Rear View



8. Place the floor protection plate under the pallet on the rear side of the cabinet. Place the jack into the transportation bracket hole and use a drilling machine to lift the cabinet up to the max height of the jack.

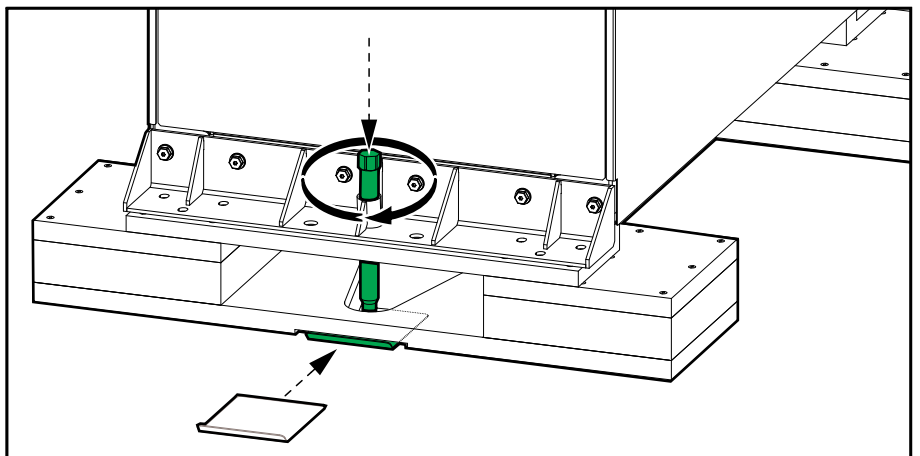
### **▲ WARNING**

#### **HAZARD OF SERIOUS INJURY**

Do not put your hands or feet under the cabinet while lifting the pallet.

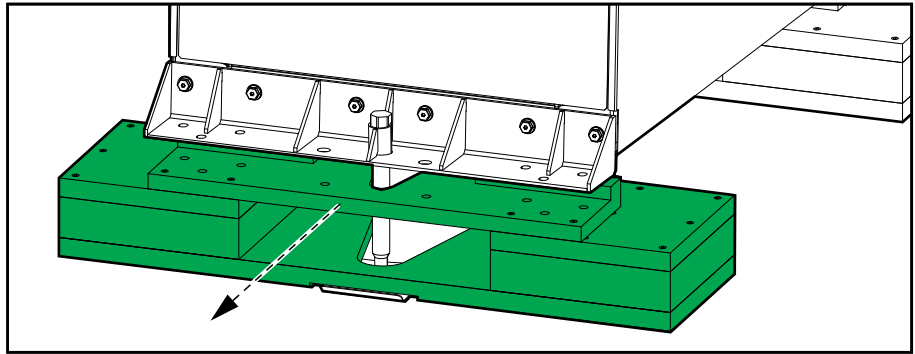
**Failure to follow these instructions can result in death, serious injury, or equipment damage.**

#### Rear View



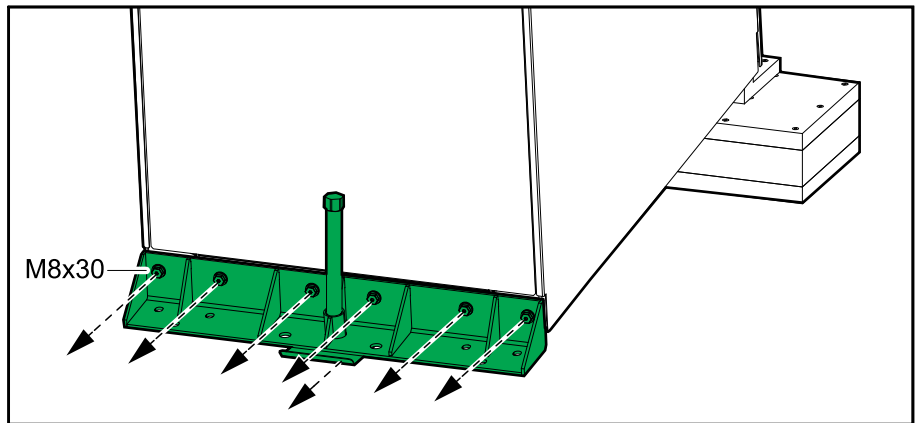
9. Remove the rear pallet part.

**Rear View**



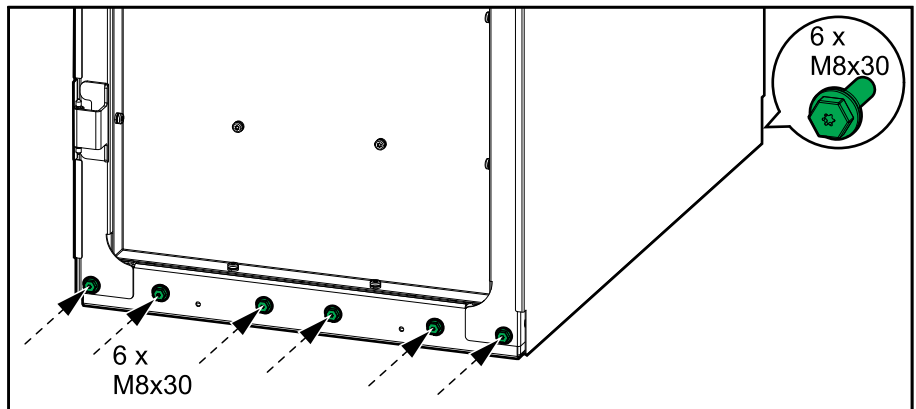
10. Use the drilling machine on the jack to lower the cabinet down to the floor.
11. Move the transportation bracket, the jack, and the floor protection plate and install on the front of the cabinet.

**Rear View**



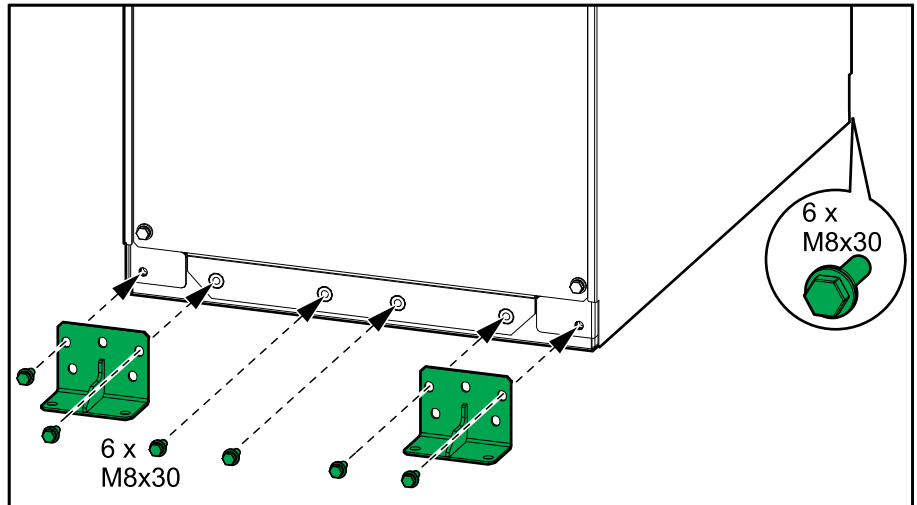
12. Lift and remove the front pallet part in the same way as the rear pallet part was removed. Remove the transportation bracket, the jack, and the floor protection plate.
13. **Only for the UPS:** Reinstall six M8x30 bolts on the front and the rear of the UPS.

**Front View of the UPS**



14. **Only for the modular battery cabinet:** Reinstall the two transportation brackets with M8x30 bolts on the rear of the modular battery cabinet. Reinstall M8x30 bolts in all the empty holes on the rear and front of the modular battery cabinet.

#### Rear View of the Modular Battery Cabinet



15. Reinstall the front door.
16. **Only for the UPS:** Reconnect the two signal cables. Fasten the signal cables with cable ties in the upper left corner.

