

Installation Sheet—Rack Access Electronic Handle (NBHN0171)

Rack Compatibility

This sheet provides installation instructions for the following racks:

- NetShelter® SX
- Chatsworth GlobalFrame™ Cabinet



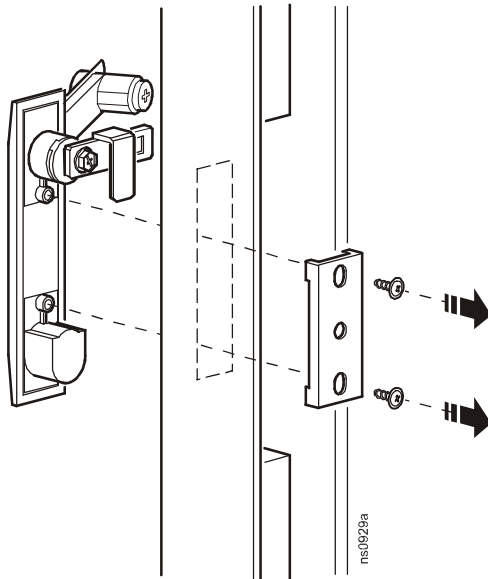
Note: For the most recent information on which racks are compatible with this product, please check the APC website (<http://www.apc.com>) or contact your APC representative.

Rack Access Electronic Handle Installation

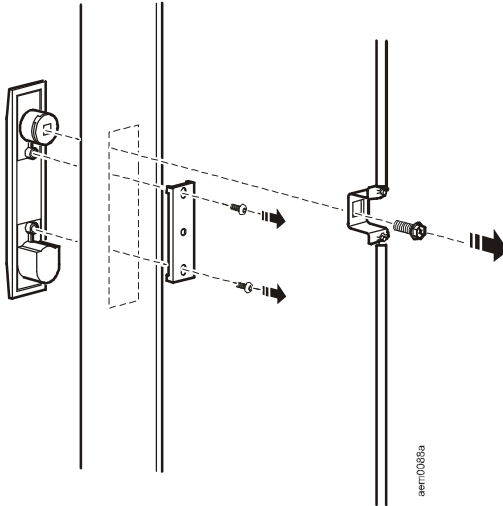
To install the handle:

1. Remove the existing rack handle. On the NetShelter rack, remove the cam from the rear door handle, and save it for step 3. On the GlobalFrame rack, save both cams for step 3.

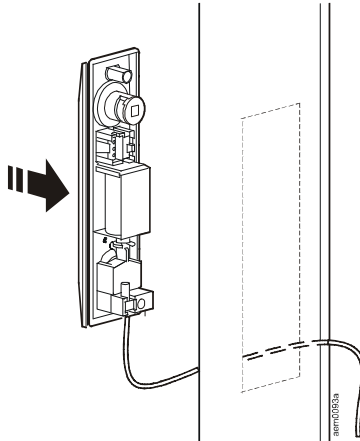
Front door handle



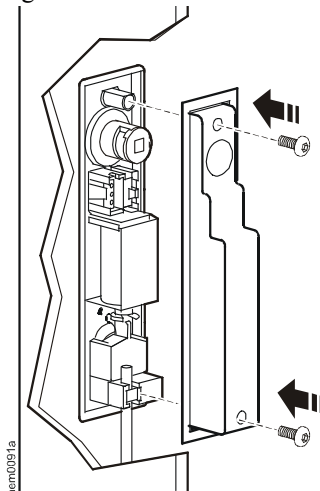
Rear door handle



2. Install the Rack Access handle.
 - a. Slide the Rack Access handle through the opening in the enclosure door where the original handle was located.

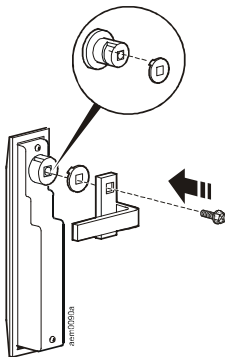


- b. Place the rear cover on the handle and insert the screws to secure the handle in place. Alternate between the screws while tightening them to prevent skewing of the handle.

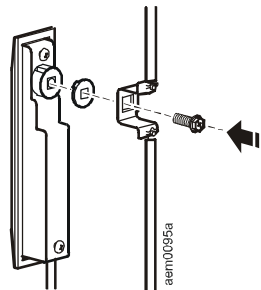


3. Install the cam washer and cam on the handle. For the rear handle, use the cam removed in step 1. For the GlobalFrame rack, use the removed cams for both handles.

Front door handle



Rear door handle



4. Route the sensor cord. At the hinge between the door and the rack, connect the cord to an RJ-45/RJ-45 coupling. Connect a 10-ft black CAT5 cable (provided) to the other side of the coupling.
5. Continue routing the cord, and connect the cord to the appropriate **Handle** port on the Rack Access Pod 170.

Customer support and warranty information is available at the APC Web site,
www.apc.com.

© 2011 APC by Schneider Electric. All trademarks are owned by Schneider Electric
Industries S.A.S., American Power Conversion Corporation, or their affiliated
companies.

990-5203-001
2/11