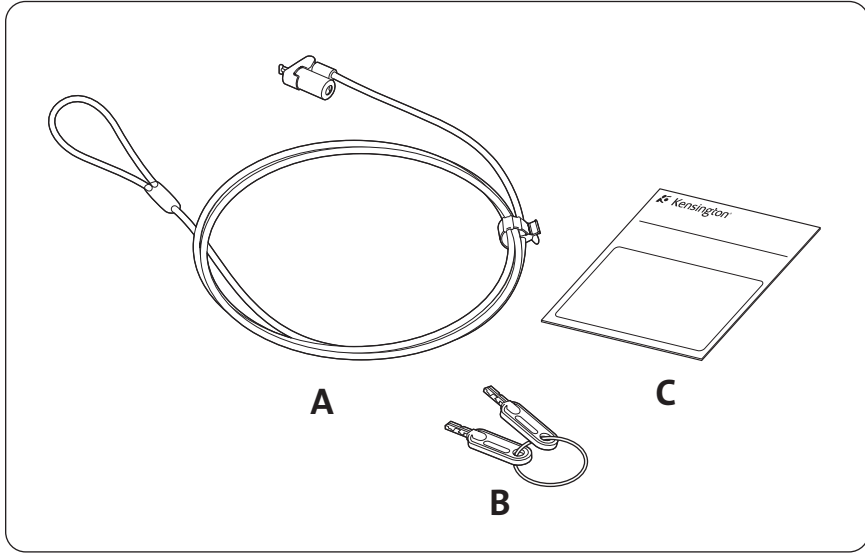


# MicroSaver® DS Keyed Lock for Ultra-Thin Notebooks

## INSTRUCTION GUIDE



### Contents

- A. MicroSaver® DS Keyed Lock for Ultra-Thin Notebooks
- B. Keys
- C. Instruction Guide

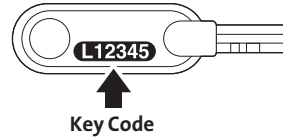
### Congratulations

Your new Kensington MicroSaver DS Keyed Lock for Ultra-Thin Notebooks is the next level in notebook security and your first line of defense against theft of computer hardware and data. The MicroSaver DS Keyed Lock for Ultra-Thin Notebooks has been specially designed for ultra-thin notebook computers and works with 99% of notebook computers manufactured today. Innovative design and superior strength ensure that the Lock provides the most secure defense and protection. The super-strong steel cable offers premium protection backed by Kensington, the world leader in notebook security. The patented T-bar lock fits securely into the Kensington security slot found on most notebook computers, as well as on other office equipment such as notebook computer docking stations, LCD monitors, meeting room projectors, external hard drives, and more.

## Key Code Registration

**IMPORTANT! REGISTER YOUR KEY CODE!**

- **What is it?** Key code registration lets you register your key code so that you can identify it if you ever need to replace the key. This prevents anyone from making a copy of your key without authorization.
- **How do I register?**
  - 1 Locate the Key Code on your key.



- 2 Go to [www.register.kensington.com](http://www.register.kensington.com) to register.
- 3 Record and save this Key Code along with your spare key in a safe place.

**MicroSaver® DS Keyed Lock for Ultra-Thin Notebooks**

---

**Name** \_\_\_\_\_

**Key Code** \_\_\_\_\_

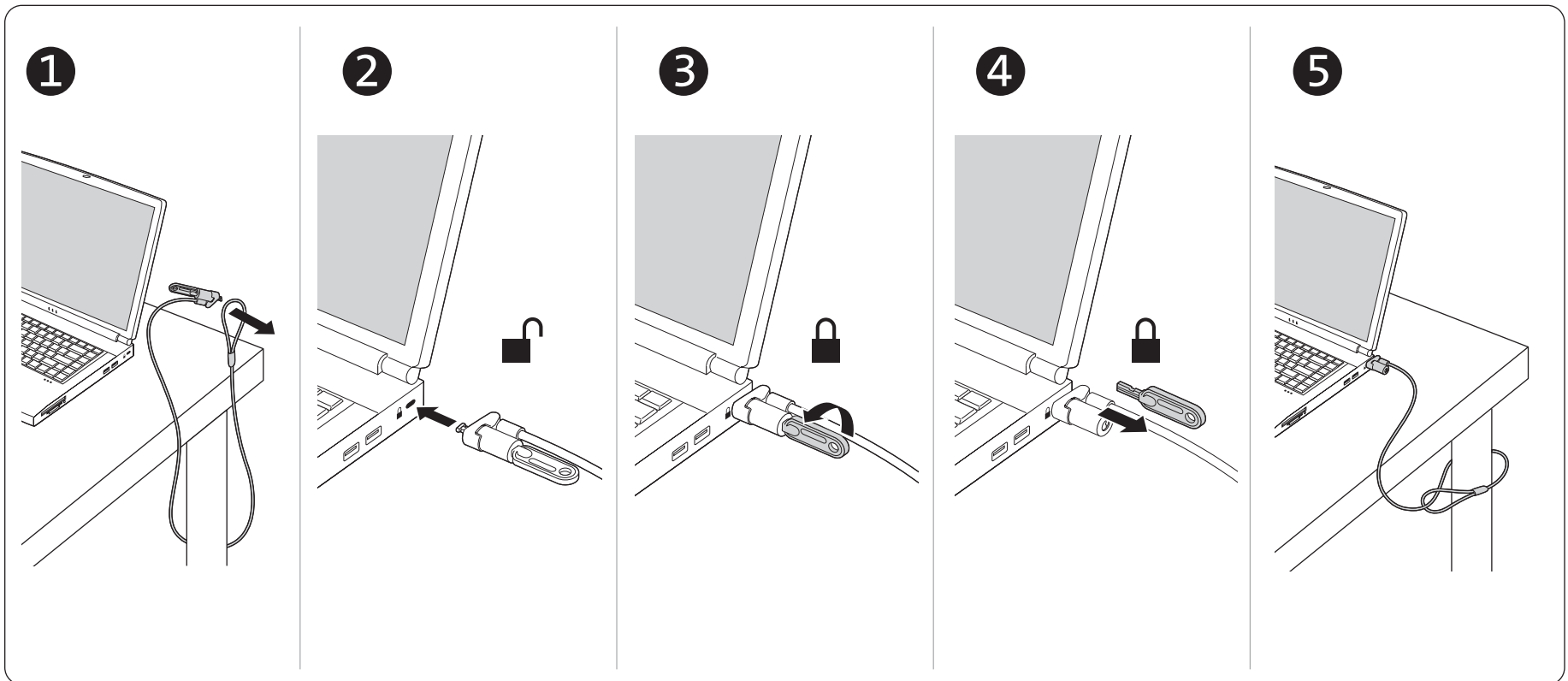
**Date** \_\_\_\_\_

### Kensington Security Slot Adapter

- **What is it?** The Kensington security slot adapter kit lets you use the MicroSaver DS Keyed Lock for Ultra-Thin Notebooks with notebook computers and other devices that do not have a Kensington security slot.
- **How do I get one?** Go to [www.kensington.com](http://www.kensington.com).

### Satisfaction Guaranteed

This product comes with a limited lifetime warranty and free technical support.



**LIMITED LIFETIME WARRANTY**

KENSINGTON COMPUTER PRODUCTS GROUP («KENSINGTON») warrants only to the original purchaser of this product from a Kensington-authorized reseller or distributor that this product will be free from defects in material and workmanship under normal use and service. Kensington reserves the right, before having any obligation under this limited warranty, to inspect the damaged Kensington product, and all costs of shipping the Kensington product to Kensington for inspection shall be borne solely by the purchaser. In order to recover under this limited warranty, Purchaser must make claim to Kensington within 60 days of occurrence, and must present acceptable proof of original ownership (such as original receipt, warranty card registration, on-line registration, or other documentation Kensington deems acceptable) for the product. KENSINGTON, at its option, shall repair or replace the defective unit covered by this warranty. Please retain the dated sales receipt as evidence of the original purchaser's date of purchase. You will need it for any warranty service. In order to keep this limited warranty in effect, the product must have been handled and used as prescribed in the instructions accompanying this warranty. This limited warranty does not cover any damage due to accident, misuse, abuse or negligence. This limited warranty is valid only if the product is used with the equipment specified on the product box. Please check product box for details or call KENSINGTON technical support. This limited warranty is non-transferable and does not apply to any purchaser who bought the product from a reseller or distributor not authorized by Kensington, including but not limited to purchases from internet auction sites. This warranty does not affect any other legal rights you may have by operation of law. Contact KENSINGTON at [www.support.kensington.com](http://www.support.kensington.com) or at one of the technical support numbers listed below for warranty service procedures.

**DISCLAIMER OF WARRANTY**

EXCEPT FOR THE LIMITED WARRANTY PROVIDED HEREIN, TO THE EXTENT PERMITTED BY LAW, KENSINGTON DISCLAIMS ALL WARRANTIES, EXPRESS OR IMPLIED, INCLUDING ALL WARRANTIES OF MERCHANTABILITY AND/OR FITNESS FOR A PARTICULAR PURPOSE. TO THE EXTENT THAT ANY IMPLIED WARRANTIES MAY NONETHELESS EXIST BY OPERATION OF LAW, ANY SUCH WARRANTIES ARE LIMITED TO THE DURATION OF THIS WARRANTY. SOME STATES/PROVINCES DO NOT ALLOW LIMITATIONS ON HOW LONG AN IMPLIED WARRANTY LASTS, SO THE ABOVE LIMITATIONS MAYNOT APPLY TO YOU.

**LIMITATION OF LIABILITY**

REPAIR OR REPLACEMENT OF THIS PRODUCT, AS PROVIDED HEREIN, IS YOUR EXCLUSIVE REMEDY. KENSINGTON SHALL NOT BE LIABLE FOR ANY SPECIAL, INCIDENTAL OR CONSEQUENTIAL DAMAGES, INCLUDING, BUT NOT LIMITED TO, LOST REVENUES, LOST PROFITS, LOSS OF USE OF SOFTWARE, LOSS OR RECOVERY OF DATA, RENTAL OF REPLACEMENT EQUIPMENT, DOWNTIME, DAMAGE TO PROPERTY, AND THIRD-PARTY CLAIMS, ARISING OUT OF ANY THEORY OF RECOVERY, INCLUDING WARRANTY, CONTRACT, STATUTORY OR TORT. NOTWITHSTANDING THE TERM OF ANY LIMITED WARRANTY OR ANY WARRANTY IMPLIED BY LAW, OR IN THE EVENT THAT ANY LIMITED WARRANTY FAILS OF ITS ESSENTIAL PURPOSE, IN NO EVENT WILL KENSINGTON'S ENTIRE LIABILITY EXCEED THE PURCHASE PRICE OF THIS PRODUCT. SOME STATES/PROVINCES DO NOT ALLOW THE EXCLUSION OR LIMITATION OF INCIDENTAL OR CONSEQUENTIAL DAMAGES, SO THE ABOVE LIMITATION OR EXCLUSION MAYNOT APPLY TO YOU. THIS WARRANTY GIVES YOU SPECIFIC LEGAL RIGHTS AND YOU MAY ALSO HAVE OTHER RIGHTS THAT VARY FROM STATE TO STATE AND PROVINCE TO PROVINCE.

Kensington, MicroSaver and ACCO are registered trademarks of ACCO Brands. The Kensington Promise is a service mark of ACCO Brands. All other trademarks are the property of their respective owners. Covered by one or more of the following patents: US 7121125; US 7111479; US 7100403; US 7143614; US 6735990; US 6588241; US 6553794; US 6155088; US 6112562; US 6081974; US 6006557; US 6000251; US 5502989; US 5493878; US 5381685; US 5327752; EU 0577811; EU 0791123; EU 0808402; Japan 2650147; Japan 3429004; Japan 3607295; Canada 2186268; Canada 2497785. Other US and foreign patents pending.

© 2009 Kensington Computer Products Group, a division of ACCO Brands. Any unauthorized copying, duplicating, or other reproduction of the contents hereof is prohibited without written consent from Kensington Computer Products Group.

All reserved. 2/09



This product comes with a lifetime limited warranty & free technical support. [www.kensington.com](http://www.kensington.com)

The Kensington Promise™ 8 0 0 - 2 3 5 - 6 7 0 8



Kensington Computer Products Group  
A Division of ACCO Brands  
333 Twin Dolphin Drive, Sixth floor  
Redwood Shores, CA 94065

ACCO Australia  
Level 2, 8 Lord St  
Botany NSW 2019  
PO Box 311  
Rosebery NSW 1445  
Australia

Designed in California, U.S.A.  
by Kensington  
Made in China  
[www.kensington.com](http://www.kensington.com)